

FRACTION/DECIMAL EQUIVALENTS

FRACTION INCH	DECIMAL INCH	FRACTION INCH	DECIMAL INCH
$1/64$.015625	$33/64$.515625
$1/32$.03125	$17/32$.53125
$3/64$.046875	$35/64$.546875
$1/16$.0625	$9/16$.5625
$5/64$.078125	$37/64$.578125
$3/32$.09375	$19/32$.59375
$7/64$.109375	$39/64$.609375
$1/8$.1250	$5/8$.6250
$9/64$.140625	$41/64$.640625
$5/32$.15625	$21/32$.65625
$11/64$.171875	$43/64$.671875
$3/16$.1875	$11/16$.6875
$13/64$.203125	$45/64$.703125
$7/32$.21875	$23/32$.71875
$15/64$.234375	$47/64$.734375
$1/4$.2500	$3/4$.7500
$17/64$.265625	$49/64$.765625
$9/32$.28125	$25/32$.78125
$19/64$.296875	$51/64$.796875
$5/16$.3125	$13/16$.8125
$21/64$.328125	$55/64$.828125
$11/32$.34375	$27/32$.84375
$23/64$.359375	$55/64$.859375
$3/8$.3750	$7/8$.8750
$25/64$.390625	$57/64$.890625
$13/32$.40625	$29/32$.90625
$27/64$.421875	$59/64$.921875
$7/16$.4375	$15/16$.9375
$29/64$.453125	$61/64$.953125
$15/32$.46875	$31/32$.96875
$31/64$.484375	$63/64$.984375
$1/2$.5000	1	1.0000

To the best of our knowledge, the information contained in this book is accurate. B & B does not assume any liability for the accuracy of completeness of data or illustrations. Determining the suitability of information or material for any use is the responsibility of the user.

B & B Surplus, Inc
Bakersfield
(661) 589-0381

B & B Steel Supply
Santa Maria
(805) 349-9991

B & B Metals, Inc
Santa Ana
(714) 541-7267

GEOMETRIC FORMULAS

CIRCLE

- Circumference:** Multiply diameter x 3.1416
(or) Divide diameter by 0.3183
- Diameter:** Multiply circumference by 0.3183
(or) Divide circumference by 3.1416
- Doubling diameter increases area 4 times; tripling diameter increases area 9 times
- Radius:** Multiply circumference by 0.15915
(or) Divide circumference by 6.28318
- Area:** Multiply circumference by 1/4 of the diameter
(or) Multiply the square of the diameter by 0.7854
(or) Multiply the square of the radius by 3.1416

SQUARE

- Area:** Square of side
- Diagonal:** Multiply side by 1.4142
- Side:** Multiply diagonal by .7071

SPHERE

- Surface Area:** Multiply circumference by the diameter
(or) Multiply the square of the diameter by 3.1416
(or) Ascertain the number of cubic inches in piece and multiply same by weight per cubic inch
- Volume:** Multiply cube of diameter by .5236

CUBE

- Surface Area:** Multiply square of side by 6
- Volume:** Cube of side

CYLINDER

- Area (curved surface):** Multiply diameter by length by 3.1416
- Volume:** Multiply square of diameter by length by .7854

CONE

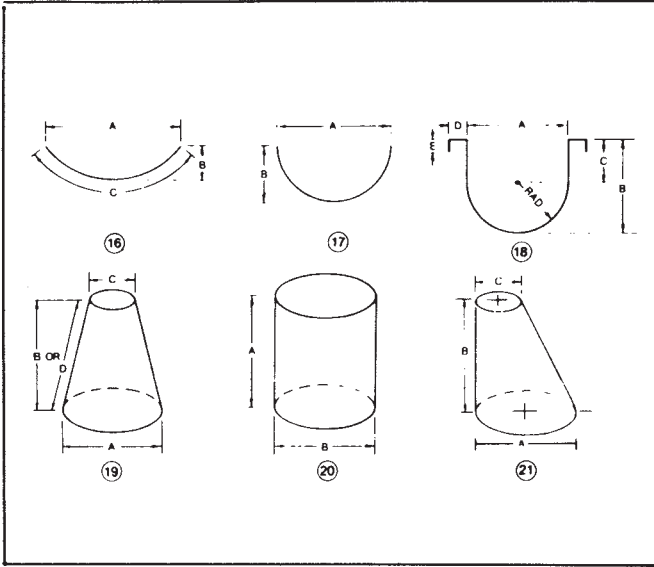
- Area (curved surface):** Multiply diameter of base by slant height by 1.5708
- Volume:** Multiply area of base by 1/3 perpendicular height

U. S. - METRIC EQUIVALENTS

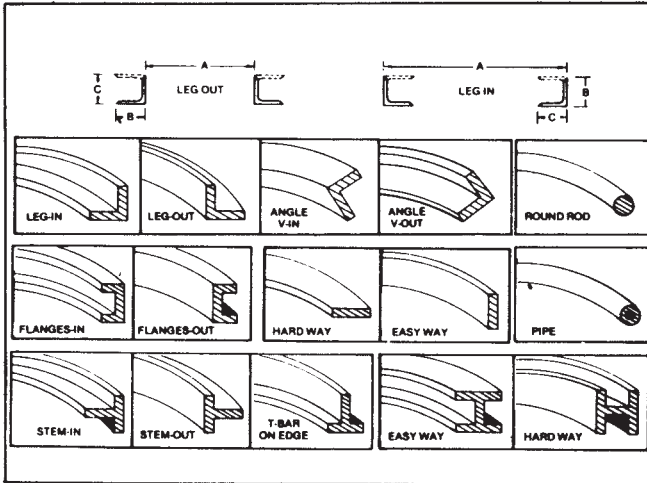
	mm	cm	meter	inches	feet	yard
1 Inch =	25.4	2.54	0.254	1	.083333	.27778
1 foot =	304.8	30.48	.3048	12	1	.333333
1 yard =	914.4	91.44	.9144	36	3	1
1 mm =	1	.1	.001	.03937	.003281	.001094
1cm =	10	1	.01	.3937	.032808	.010936
1 meter =	1000	100	1	39.37	3.28083	1.09361

ROLLED SHAPES

FORMED ROLLED SHAPES



ROLLED SHAPES



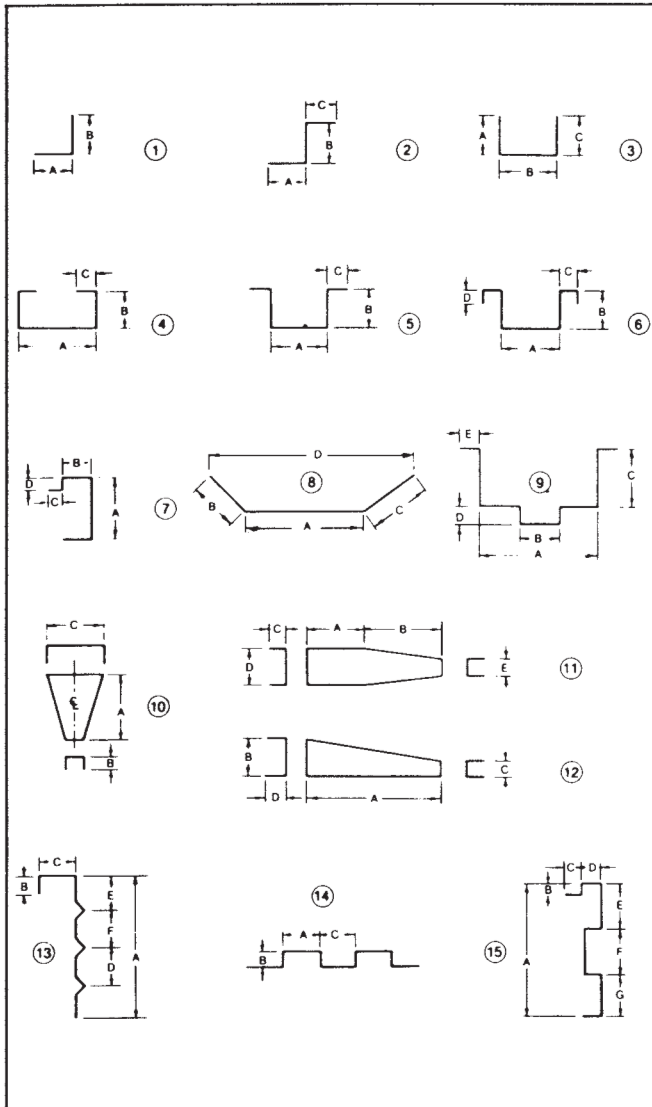
REFER TO THE ABOVE SKETCHES THAT CLOSELY RESEMBLE THE PART YOU NEED, FOR EASE OF ORDERING.

B & B Surplus, Inc
Bakersfield
(661) 589-0381

B & B Steel Supply
Santa Maria
(805) 349-9991

B & B Metals, Inc
Santa Ana
(714) 541-7267

FORMED SHAPES



REFER TO THE ABOVE SKETCHES THAT CLOSELY RESEMBLE THE PART YOU NEED, FOR EASE OF ORDERING.

B & B Surplus, Inc
Bakersfield
(661) 589-0381

B & B Steel Supply
Santa Maria
(805) 349-9991

B & B Metals, Inc
Santa Ana
(714) 541-7267